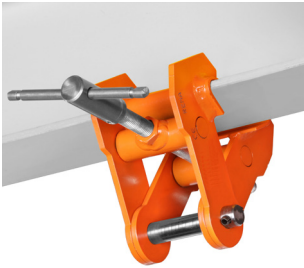


CSVW spindle beam clamps



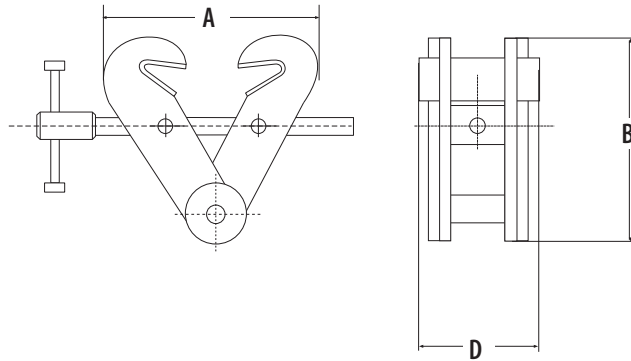
Developed for lifting steel beams or as a semi permanent hoist eye.

Properties:

- Beam clamp equipped with spindle for quick and easy mounting on a beam.
- Safety factor of at least 5 x WLL.
- Each clamp is 2 x WLL test.

Norm:

- EN12100-1/2, EN13155, AS4991, ASME-B30,20



Type	WLL (kg)	Jaw opening (mm)	A (mm)	B (mm)	D (mm)	Weight (kg)	ProductId
CSVW-1.0	1000	75 - 190	135 - 250	170	120	3	3367001
CSVW-2.0	2000	75 - 190	135 - 250	170	120	4	3367002
CSVW-3.0	3000	75 - 190	135 - 250	170	120	4	3367003
CSVW-5.0	5000	150 - 300	230 - 380	325	180	12	3367005

CSV spindle beam clamps with eye



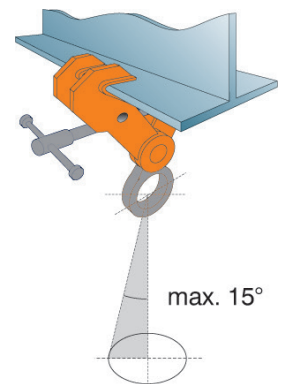
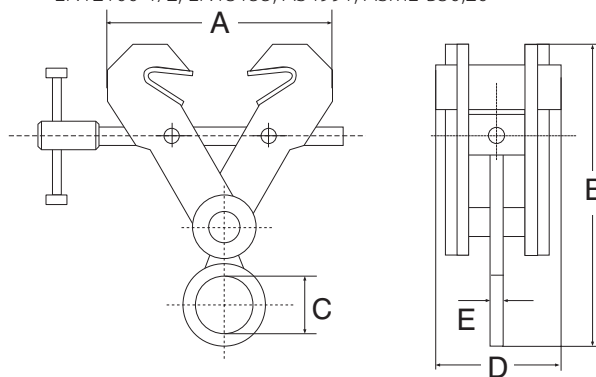
Suitable for lifting steel beams or can be utilized as semi-permanent lifting eyes.

Properties

- Beam clamp equipped with spindle for quick and easy mounting on a beam.
- Safety factor of at least 5 x WLL.
- Each clamp is 2 x WLL test.

Norm:

- EN12100-1/2, EN13155, AS4991, ASME-B30,20



Type	WLL (kg)	Jaw opening (mm)	A (mm)	B (mm)	C (mm)	D (mm)	E (mm)	Weight (kg)	ProductId
CSV-1.0	1000	75 - 190	135 - 250	300	75	120	16	4	3368001
CSV-2.0	2000	75 - 190	135 - 250	300	75	120	16	5	3368002
CSV-3.0	3000	75 - 190	135 - 250	300	75	120	16	5	3368003
CSV-5.0	5000	150 - 300	230 - 380	450	80	180	20	15	3368005